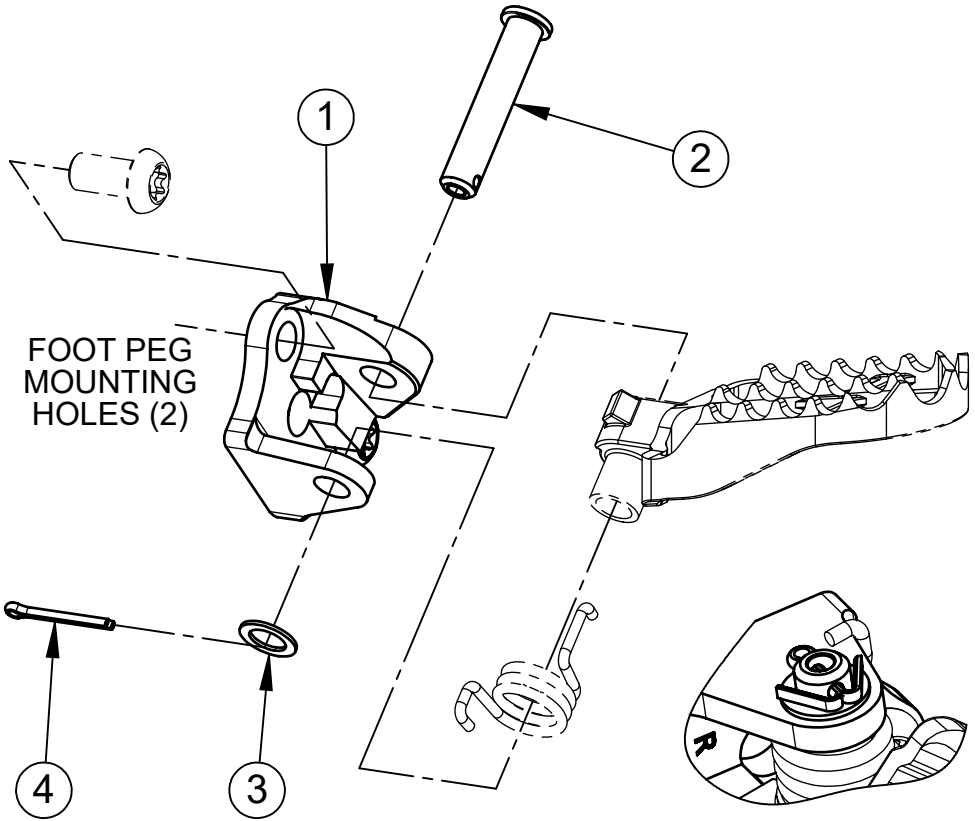


20-500 TITANIUM OFFSET FOOT PEG MOUNT INSTRUCTIONS



ITEM NO.	DESCRIPTION	QTY.
1	FOOT PEG MOUNT (RIGHT)	1
	FOOT PEG MOUNT (LEFT)	1
2	PIN	2
3	WASHER	2
4	COTTER PIN	2

NOTE: INSTALLATION IS THE SAME FOR LEFT AND RIGHT FOOT PEG MOUNTS.

- REUSE FOOT PEG, TORSION SPRING AND MOUNTING BOLTS.
- APPLY A THIN FILM OF GREASE OR ANTI-SEIZE ON ITEM # 2.
- INSTALL COTTER PIN AND BEND ARMS AS SHOWN IN ILLUSTRATION.
- USE LOCTITE # 242 OR EQUIVALENT ON MOUNTING BOLTS.
- TIGHTEN ALL HARDWARE TO OEM SPECIFICATIONS UNLESS OTHERWISE NOTED.